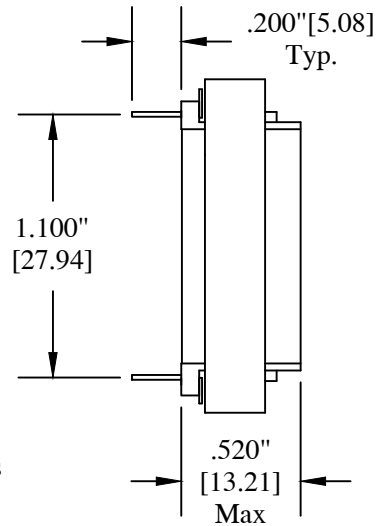
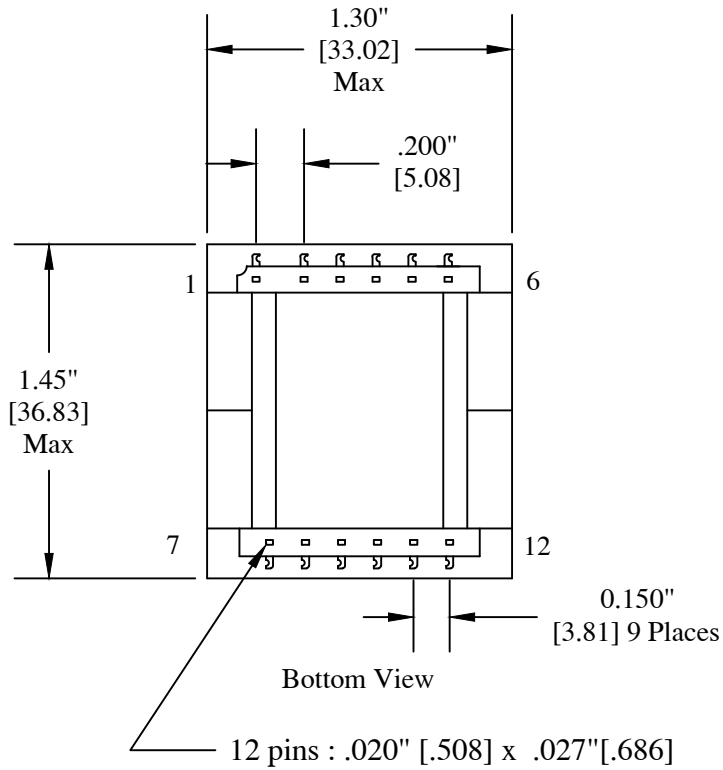


- FEED BRIDGE INDUCTOR.
- OPERATING LEVEL -45 TO +7dBm.
- DESIGNED FOR 100mA MAX DC CIRCUITS.
- UL RECOGNIZED COMPONENT - UL 1863, FILE E138250.



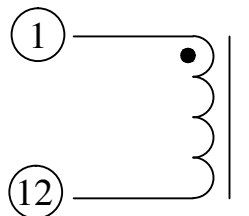
REVISIONS			
DATE	REV	DESCRIPTION	APPV'D

Electrical Parameters:

- DC Resistance: 88 ohms
- Dielectric Strength: 1500Vac (winding to core)
- Min. Inductance:
 - 0.95Hy @0DC
 - 0.90Hy@50mADC
 - 0.88Hy@75mADC
 - 0.85Hy@100mADC

All dimensions are reference unless otherwise specified.

Schematic



PREM MAGNETICS INCORPORATED		CUSTOM ENGINEERING MAGNETIC COMPONENTS Johnsburg, Illinois 3521 N. Chapel Hill Rd. / McHenry, Illinois 60051	
SCALE: None	APPROVED BY:	DRAWN BY G.G.	
DATE: 06-19-01	<i>Tj Klotz</i>	REVISED	
FEED BRIDGE Transformer p/n SPT-178			
DRAWING NUMBER			SPT-178